

893

Automatic Bag Closing Machine

The Kwik Lok® 893 Automatic Bag Closing Machine offers computer controlled, automatic, high-speed bag closing that runs closures or custom printed closure-labels for all lines at any speed from 30-120 bags per minute. All functions are controlled from the convenient touch screen to increase operator efficiency. The 893 has many features including: multiple languages, programmable shifts, production counters, bag jam detection, and error messages.

TYPICAL APPLICATIONS

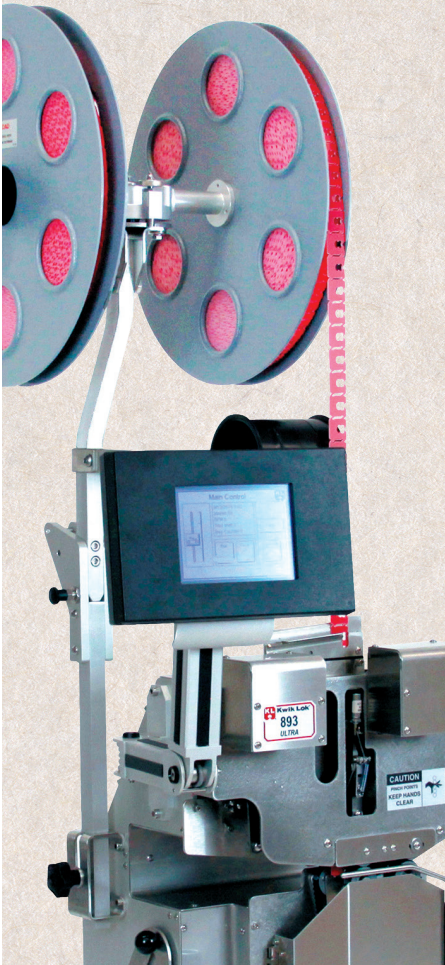
- Bakery Products

SPECIFICATIONS

Height 45"
Width 18"
Length 14"

OPTIONS

- Lok detection: monitors the presence and movement of the closures
- Lok management: monitors that the closer cycled each time as a package travels by
- Automatic speed control: automatically change the speed of the closer when the conveyor or bagger change speed
- Alarm indicator: flashing light and buzzer alert the operator to error condition
- Mount kits: allow the 893 to be interchangeable with the 872
- Ethernet communication: allow performance monitoring and set-up of machine features from a remote computer



Kwik Lok®

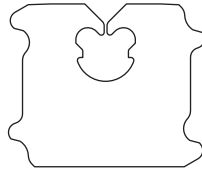
KWIKER IS BETTER



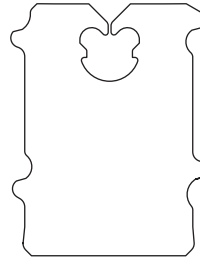
Kwik Lok

893 Automatic Bag Closing Machine

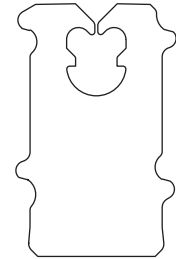
CLOSURES & CLOSURE LABELS



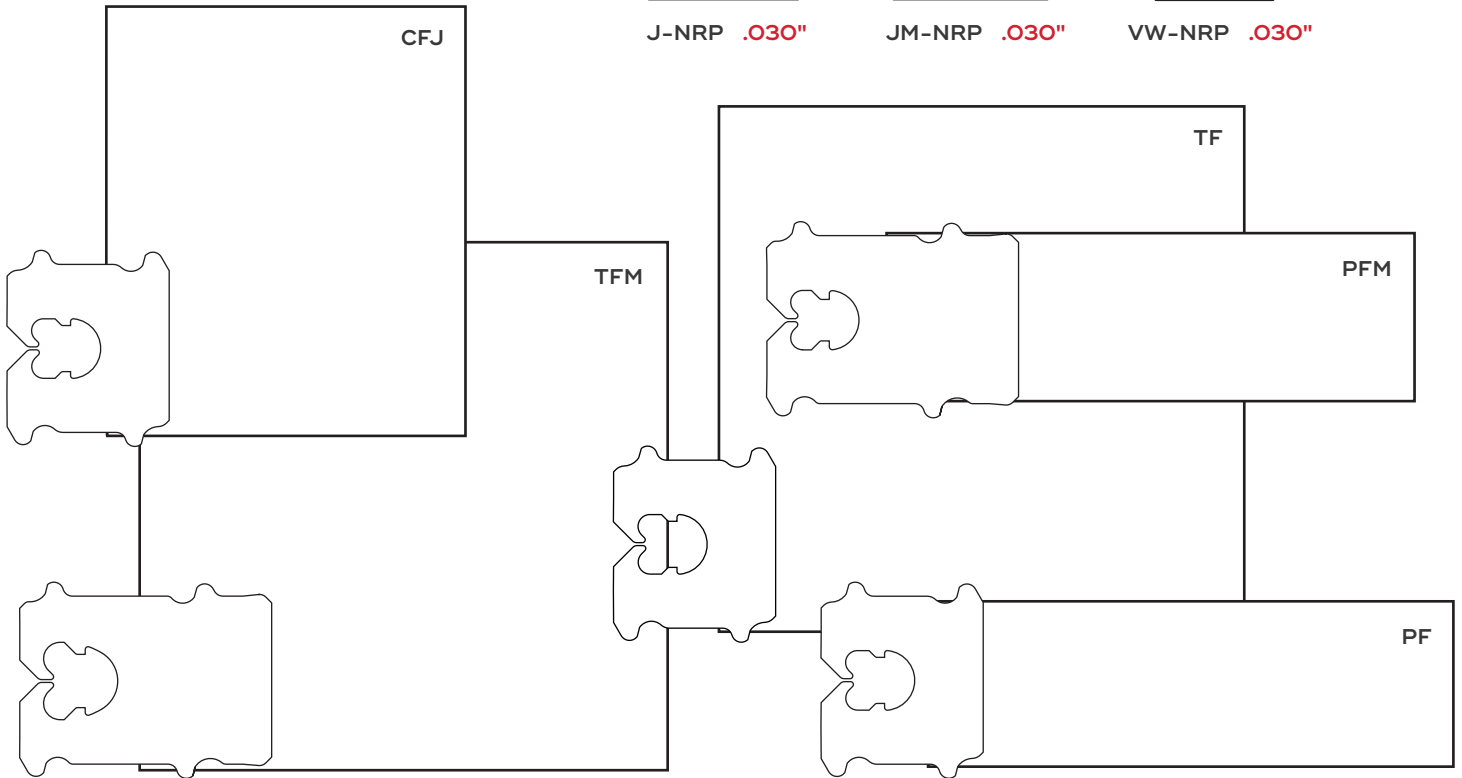
J-NRP .030"



JM-NRP .030"



VW-NRP .030"



Various plastic thicknesses (in red) handle a wide range of package types, weights and sizes.

Closures can be printed with price, date and/or code information.

Available colors vary with plastic thickness: .030" - 7 colors .045" - 3 colors

Our line includes a full range of printers, stands conveyors and bag tensioners compatible with the 893 Automatic Bag Closing Machine.

PRINTERS

883 S

897 B

904 B

905 B

STANDS

Z8025

902

CONVEYORS

1083 FB

1083 TA

BAG TENSIONERS

1082 L8